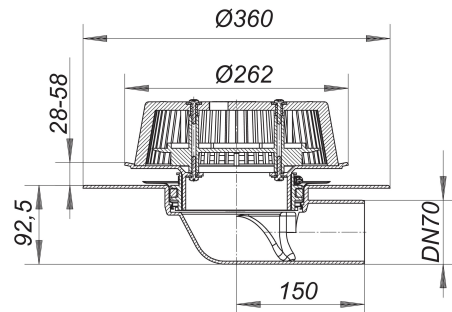


power overflow drain 86 D FPO-PP, DN 70

Part number: 671387
GTIN: 4001636671387
Rebate group: 10



Description:

power overflow drain 86 D FPO-PP, DN 70

conforming to DIN EN 1253

flat overflow drain for installation into the thermal roof insulation with minimum 120 mm, with extra wide flange for welding FPO-PP membranes directly

specification:

- overflow upstand height adjustable 28 - 58 mm
- domed grate, secured

material:

polypropylene, UV-stabilized

Spare parts: