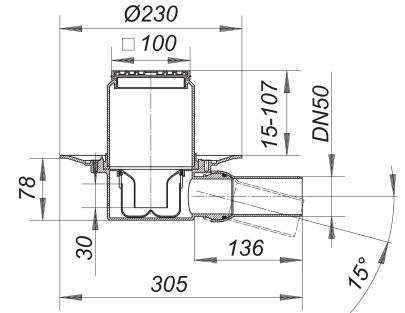


floor drain 42 E, DN 50, 100 x 100 mm

Part number: 420107
 GTIN: 4001636420107
 Rebate group: 3



Description:

floor drain 42 E, DN 50, 100 x 100 mm
 outlet DN 50 horizontal, with ball-joint, adjustable 0 – 15 degrees

specification

- height adjustable grating type E 10
- removable trap insert, 30 mm water seal (deviating to DIN EN 1253)
- temporary blanking plate

material

polypropylene
 frame ABS, 100 x 100 mm, grate 304 stainless steel, load class K 3 (300 kg)

The outlet connector can be supplied in ABS to suit British Standard sizes and PE-HD conforming to DIN EN 1519. Please enquire.

Flow rates tested to DIN EN 1253:

Nominal diameter	Product standard	Min. flow rate according to norm	Water level according to norm
DN 50	DIN EN 1253	0.80 l/s	20.00 mm

Spare parts:

495013 drainage ring S 10

495044 Trap insert for floor drain body type 4

495204 frame EN 10, 100 x 100 mm

501011 grate E 90, 90 x 90 mm