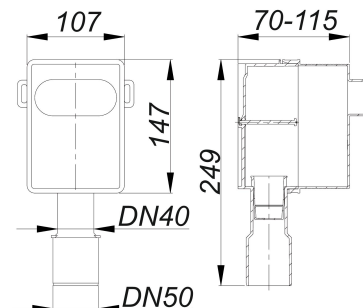


installation kit dishwasher trap 400 Vario, DN 40/DN 50

Part number: 140401
GTIN: 4001636140401
Rebate group: 1



Description:

installation kit dishwasher trap 400 Vario, DN 40/DN 50
housing for wall recessing

specification:

- recess depth 75 - 115 mm
- spacer

material:

polyethylene for welding HDPE