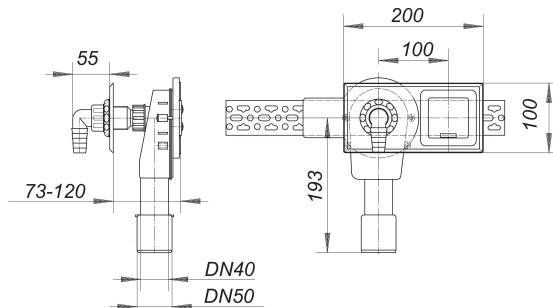
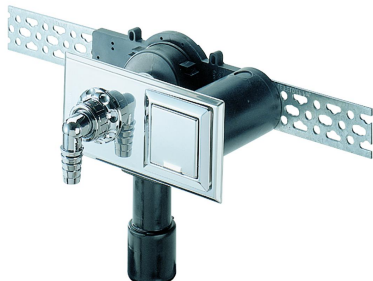


washing machine or dishwasher trap HL 400 E, DN 40/DN 50

Part number: 130419
GTIN: 4001636130419
Rebate group: 1



Description:

washing machine or dishwasher trap HL 400 E, DN 40/DN 50

SPECIFICATION

- compact recessed body
- adjustable depth threaded inlet
- inlet hose connector, chrome
- backing plate
- fixing bracket
- incorporating power socket with hinged cover
- cover plate stainless steel, 200 x 100 mm
- recess depth 73 - 120 mm
- spacer

MATERIAL

polyethylene trap-body for welding HDPE

TESTED BY

VDE (electrical connection)

Spare parts: